

Product Data Sheet

Flap Valve FV



Reliable connections -
worldwide!

Product description:



For **better sealing and to avoid unnecessary adhesives** during wall mounting, Flap Valves from **DN 150** upwards are equipped with an innovative **co-extruded seal with two hardness zones**.

Product Name	Flap Valve FV
Product Group	Flood Protection
Product Code	FVXXX, FVSXXX, FVTXXX, FVFXXX, FVTFXXX
Sizes	DN 100 – 600
Rubber	EPDM
Plastic Type	HDPE
Steel Quality	–
Pressure Rating	0.7 bar / 10.2 psi
Standards	DIN EN19569-4 DIN EN 681-1
Shore Resistance	60
Temperature Range	-40 to 70 °C
UV Resistance	✓
Oil / petrol Resistance	✗
Fire Performance	Class F
Soil Suitability	✓
Flush-mounted Suitability	✓
Tensile Strength	✗

Flap Valve Standard Range

Wall Mounted	Spigot Mounted	Tidal Wall Mounted	Flange Mounted	Tidal Flange Mounted	Application (pipe)
FV100	FVS100 / FVS110	FVT100	FVF100	FVTF100	DN 100
FV125	FVS110 / FVS125	-	FVF125	FVTF125	DN 125
FV150	FVS150 / FVS160	FVT150	FVF150	FVTF150	DN 150
FV200	FVS200 / FVS225	FVT200	FVF200	FVTF200	DN 200
FV225	FVS225	FVT225	-	-	DN 225
FV250	FVS250 / FVS280	FVT250	FVF250	FVTF250	DN 250
FV300	FVS280 / FVS300	FVT300	FVF300	FVTF300	DN 300
FV350	FVS350	-	FVF350	FVTF350	DN 350
FV400	FVS400	FVT400	FVF400	FVTF400	DN 400
FV450	FVS450	-	FVF450	FVTF450	DN 450
FV500	FVS500	FVT500	FVF500	FVTF500	DN 500
FV600	FVS600 / FVS630	FVT600	FVF600	FVTF600	DN 600
FV700	-	-	-	-	DN 700
FV800	-	-	-	-	DN 800
FV900	-	-	-	-	DN 900
FV1000	-	-	-	-	DN 1000

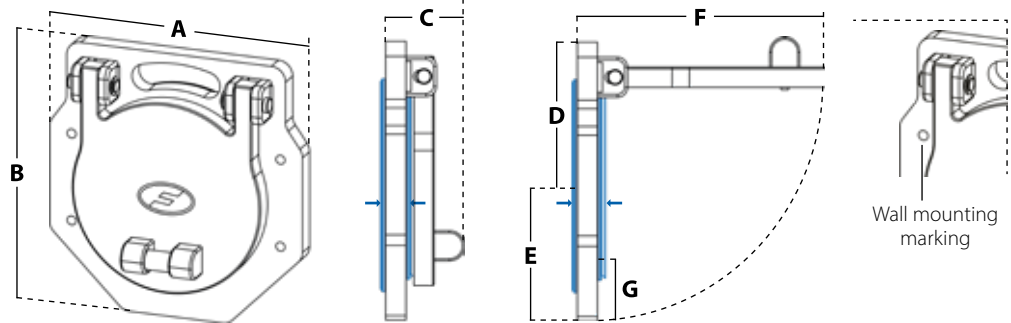
Larger sizes available on request

Note: All information is based on the current state of our technical experience at the time of preparation. If necessary, they must be adapted to any changes. We reserve the right to make technical changes. Our general terms and conditions of sale and delivery apply.

Data Table

Flap Valve FV

Wall-mounted Flap Valve



EPDM Co-extrusion seal

Product Code	DN (mm)	A (mm)	B (mm)	C (mm)	D (mm)	E (mm)	F (mm)	G (mm)	Mounting Hole PCD (mm)	Weight (kg)
FV100	100	212	235	77	129	106	207	56	183	1.3
FV125	125	254	268	77	142	127	233	65	225	1.7
FV150	150	274	291	79	154	137	248	62	240	1.9
FV200	200	341	349	79	179	170	298	71	312	2.7
FV225	225	351	367	79	191	176	322	63	315	3.0
FV250	250	379	392	79	202	190	346	65	350	3.4
FV300	300	429	442	79	228	214	396	65	400	4.2
FV350	350	499	517	79	268	249	472	74	460	5.7
FV400	400	544	565	79	293	272	522	72	515	6.7
FV450	450	594	615	79	318	297	572	72	565	7.9
FV500	500	649	667	99*	343	324	622	75	620	10.1
FV600	600	754	770	99*	393	377	721	77	725	13.6
FV700	700	895	1080**	134	632**	448	961	98	850	37.3
FV800	800	995	1180**	134	682**	498	1061	98	950	44.2
FV900	900	1095	1280**	134	732**	548	1161	98	1050	51.6
FV1000	1000	1195	1380**	134	782**	598	1261	98	1150	59.6

*from the back of the wall plate to front plate strengthening ribs
 **from the top of the lifting bracket

Larger sizes available on request

Mounting Sets

Flap Valve	Part Code	Mounting Holes (amount)	Description
FV100 – 150 FVT100	FVMS-01	4	Flap Valve Mounting Set A4 Stainless Steel Bolts and Chemical Anchors 4x M8
FV225 – 300 FVT150 – 225	FVMS-02	5	Flap Valve Mounting Set A4 Stainless Steel Bolts and Chemical Anchors 5x M8
FV350 – 450 FVT250 – 300	FVMS-03	6	Flap Valve Mounting Set A4 Stainless Steel Bolts and Chemical Anchors 6x M8
FV500 – 600 FVT400	FVMS-04	8	Flap Valve Mounting Set A4 Stainless Steel Bolts and Chemical Anchors 8x M8
FVT500 – 600	FVMS-05	10	Flap Valve Mounting Set A4 Stainless Steel Bolts and Chemical Anchors 10x M8
FV700 – 1000	FVMS-06	14	Flap Valve Mounting Set A4 Stainless Steel Bolts and Chemical Anchors 14x M12

FVMS-01



Note: All information is based on the current state of our technical experience at the time of preparation. If necessary, they must be adapted to any changes. We reserve the right to make technical changes. Our general terms and conditions of sale and delivery apply.

All variants: Pressure rating 0.7 bar. These values do not take into account any disruptive external factors such as currents, whirlpools or bulky deposits.
 * Dimension taken from the back of the wall plate to front plate strengthening ribs.
 ** These values are taken from the top of the lifting bracket.

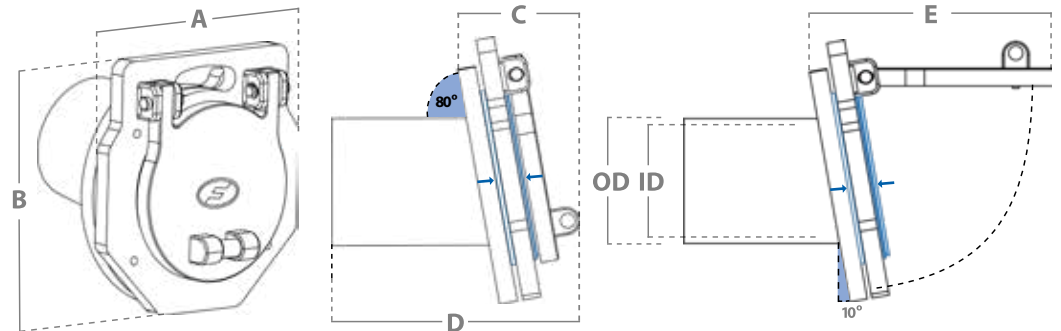
Data Table

Flap Valve FV

Flap Valve with pipe socket



 EPDM Co-extrusion seal



Product Code	DN (mm)	Spigot OD (mm)	Spigot ID (mm)	A (mm)	B (mm)	C (mm)	D (mm)	E (mm)	Weight (kg)
FVS100	100	90	83	212	235	125	264	234	2.0
FVS110	110	110	102	212	235	125	267	234	2.0
FVS125	125	125	115	254	268	130	267	260	2.7
FVS150	150	140	123	254	268	130	271	260	2.9
FVS160	160	160	148	274	291	135	279	274	3.1
FVS200	200	180	159	274	291	135	277	274	3.5
FVS225	225	200	184	340	349	144	284	327	4.6
FVS250	250	225	211	351	391	146	288	350	4.8
FVS280	280	250	235	379	392	150	293	374	5.6
FVS300	300	280	263	379	392	151	296	376	5.6
FVS350	350	315	300	429	442	157	300	425	6.8
FVS400	400	355	333	499	517	167	309	490	10.3
FVS450	450	400	375	544	565	173	307	543	12.7
FVS500	500	450	422	594	615	178	369	597	14.7
FVS525	525	500	469	649	667	195*	378*	648	17.8
FVS600	600	560	526	685	698	199*	393*	673	20.0
FVS630	630	630	591	754	770	224*	405*	748	25.5

*from the back of the wall plate to front plate strengthening ribs

Finished Product	Part Code	Description	Quantity (Metres)
EPDM Sealing Strip	FVSMS-01	EPDM Spigot Sealing Strip For Flap Valve Spigots DN 100 / 125 / 150	2.05
EPDM Sealing Strip	FVSMS-02	EPDM Spigot Sealing Strip For Flap Valve Spigots DN 200 / 225 / 250	4.52
EPDM Sealing Strip	FVSMS-03	EPDM Spigot Sealing Strip For Flap Valve Spigots DN 300 / 350 / 400	6.14
EPDM Sealing Strip	FVSMS-04	EPDM Spigot Sealing Strip For Flap Valve Spigots DN 450 / 500 / 600	10.0

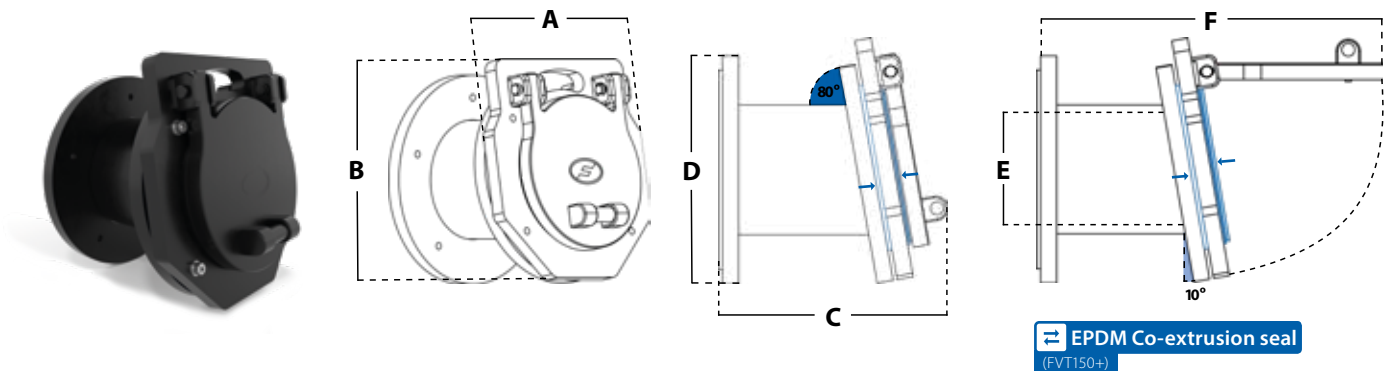


Note: All information is based on the current state of our technical experience at the time of preparation. If necessary, they must be adapted to any changes. We reserve the right to make technical changes. Our general terms and conditions of sale and delivery apply.

Data Table

Flap Valve FV

Tidal Wall Mounted Flap Valve



Product Code	DN (mm)	A (mm)	B (mm)	C (mm)	D (mm)	E (mm)	F (mm)	Mounting Hole PCD (mm)	Weight (kg)
FVT100	100	212	235	267	212	102	376	183	2.6
FVT150	150	274	291	279	260	148	419	221	3.8
FVT200	200	351	267	288	340	211	493	283	6.3
FVT225	225	379	392	288	370	235	517	311	6.8
FVT250	250	379	392	296	385	263	521	333	6.8
FVT300	300	429	442	300	450	300	567	383	8.5
FVT400	400	544	565	367	595	422	788	523	17.2
FVT500	500	685	698	393*	695	526	868	628	23.6
FVT600	600	754	770	405*	780	591	930	705	28.8

*from the back of the wall plate to front plate strengthening ribs

Mounting Sets

Tidal Wall Mounted Flap Valve	Mounting Holes (amount)	Size	Part Code
FVT100	4	M8	FVMS-01
FVT150	5	M8	FVMS-02
FVT200			
FVT225			
FVT250	6	M8	FVMS-03
FVT300			
FVT400	8	M8	FVMS-04
FVT500	10	M8	FVMS-05
FVT600			

FVMS-01



Note: All information is based on the current state of our technical experience at the time of preparation. If necessary, they must be adapted to any changes. We reserve the right to make technical changes. Our general terms and conditions of sale and delivery apply.

Data Table

Flap Valve FV

Flange Mounted Flap Valves


Flange Mounted Flap Valve (FVF)



Tidal Flange Mounted Flap Valve (FVTF)



Pipe DN (mm)	Flange Options		Description
	Flange	Tidal Flange (10°)	
DN 100	FVF100-1	FVTF100-1	DN100 BS4504 / ISO 7005 (DIN) PN10/PN16
DN 125	FVF125-1	FVTF125-1	DN125 BS4504 / ISO 7005 (DIN) PN10/PN16
DN 150	FVF150-1	FVTF150-1	DN150 BS4504 / ISO 7005 (DIN) PN10/PN16
DN 200	FVF200-1	FVTF200-1	DN200 BS4504 / ISO 7005 (DIN) PN10
	FVF200-2	FVTF200-2	DN200 BS4504 / ISO 7005 (DIN) PN16
DN 250	FVF250-1	FVTF250-1	DN250 BS4504 / ISO 7005 (DIN) PN10
	FVF250-2	FVTF250-2	DN250 BS4504 / ISO 7005 (DIN) PN16
DN 300	FVF300-1	FVTF300-1	DN300 BS4504 / ISO 7005 (DIN) PN10
	FVF300-2	FVTF300-2	DN300 BS4504 / ISO 7005 (DIN) PN16
DN 350	FVF350-1	FVTF350-1	DN350 BS4504 / ISO 7005 (DIN) PN10
	FVF350-2	FVTF350-2	DN350 BS4504 / ISO 7005 (DIN) PN16
DN 400	FVF400-1	FVTF400-1	DN400 BS4504 / ISO 7005 (DIN) PN10
	FVF400-2	FVTF400-2	DN400 BS4504 / ISO 7005 (DIN) PN16
DN 450	FVF450-1	FVTF450-1	DN450 BS4504 / ISO 7005 (DIN) PN10
DN 500	FVF500-1	FVTF500-1	DN500 BS4504 / ISO 7005 (DIN) PN10
	FVF500-2	FVTF500-2	DN500 BS4504 / ISO 7005 (DIN) PN16
DN 600	FVF600-1	FVTF600-1	DN600 BS4504 / ISO 7005 (DIN) PN10
	FVF600-2	FVTF600-2	DN600 BS4504 / ISO 7005 (DIN) PN16

 Other flange adaptors can be manufactured on request

Product drawings available for approval at quoting stage

Note: All information is based on the current state of our technical experience at the time of preparation. If necessary, they must be adapted to any changes. We reserve the right to make technical changes. Our general terms and conditions of sale and delivery apply.